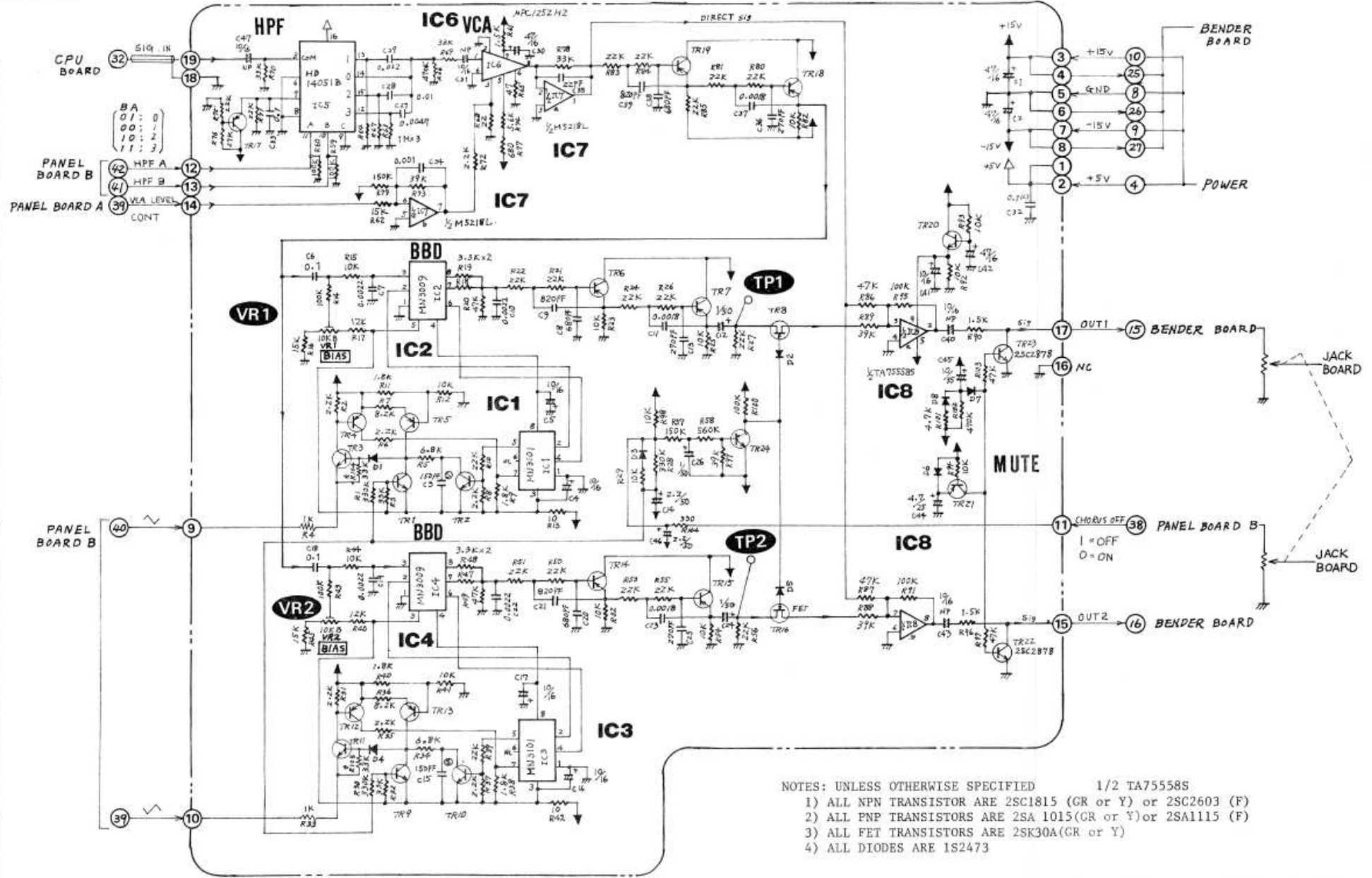
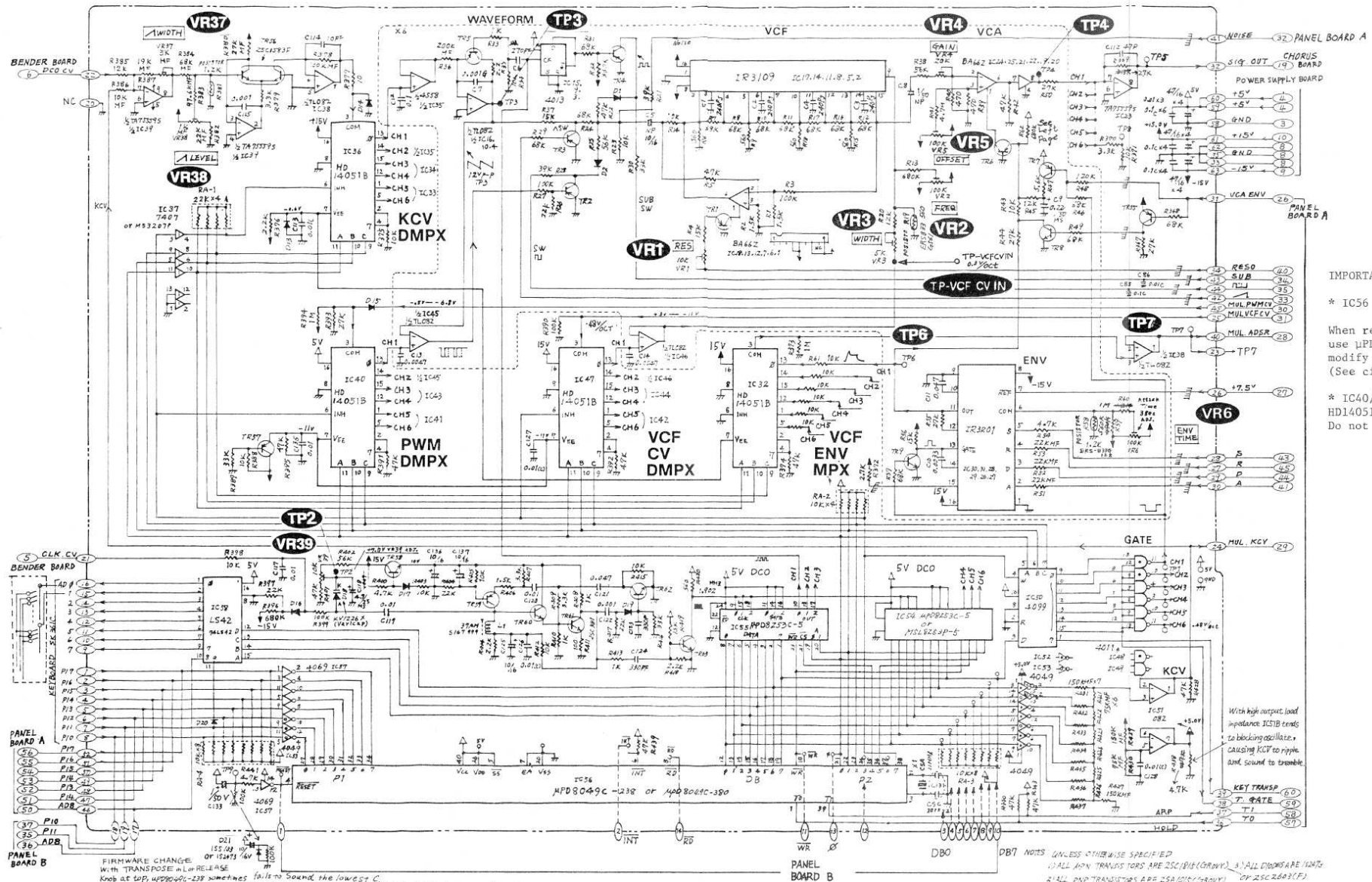


CHORUS BOARD





IMPORTANT (IC changes)

* IC56 (µPD8049C-238 to µPD8049C-380)
 When replacing µPD8049C-238, use µPD8049C-380 version and modify RESET circuit. (See circuit diagram.)

* IC40/IC47
 HD14051B only.
 Do not use equivalents.

FIRMWARE CHANGE:
 WITH TRANSPOSE = 1/2 RELEASE
 Knob at top, µPD8049C-238 sometimes fails to sound the lowest C.
 µPD8049C-380 has debugged program and overcomes the problem. Provided D1 and D3 are that shown in revised RESET circuit. Factory mark: Nations CPU-SN24200-UP, RESET-SN 24200-UP

NOTES UNLESS OTHERWISE SPECIFIED
 1) ALL JPN TRANSISTORS ARE 2SC (116 (GRAND)) & 2SA (116 (GRAND))
 2) ALL JPN TRANSISTORS ARE 2SC (105 (GRAND)) & 2SA (116 (GRAND))
 3) ALL DBO ARE 1N4148